

# INOVANCE



## MD290 AC 드라이브



범용 AC Drive for Fan & Pump

- 오픈 루프 제어
- 다양한 통신옵션
- 회전 속도 추적
- 지능형 에너지 절약
- PID 제어 가능
- 다단 전압 및 지속 설정



## General specifications

Voltage class  		Three-phase 380 to 480 Vac										
Drive model: MD290TxxG/xxPB-INT		0.4G/0.7PB	0.7G/1.1PB	1.1G/1.5PB	1.5G/2.2PB	2.2G/3.0PB	3.0G/3.7PB	3.7G/5.5PB	5.5G/7.5PB	7.5G/11PB	11G/15PB	15G/18.5PB
Frame size		T1 <sup>*1</sup>					T2		T3		T4	
Drive input	Rated input voltage	Three-phase 380 to 480 Vac -15% to +10%										
	Rated input current [A]	1.8/2.5	2.4/3.7	3.7/4.6	4.6/6.4	6.3/9.1	9.0/11.3	11.4/15.9	16.7/22.4	21.9/32.9	32.2/39.7	41.3/44
	Power capacity [kVA]	2.3	3.4	4.2	5.9	8.3	10.4	15.5	20.5	30.2	38.2	44.4
	Rated input frequency	50/60 Hz ±5%										
Drive output	Applicable motor [kW]	0.4/0.7	0.7/1.1	1.1/1.5	1.5/2.2	2.2/3.0	3.0/3.7	3.7/5.5	5.5/7.5	7.5/11	11/15	15/18.5
	Output current [A] <sup>*2</sup>	1.5/2.1	2.1/3.1	3.1/3.8	3.8/5.1	5.1/7.2	7.2/9.0	9.0/13	13/17	17/25	25/32	32/37
	Default carrier frequency [kHz]	6	6	6	6	6	6	6	6	6	6	6
	Overload capacity	150% for G type and 110% for P type for 60 s										
	Max. output voltage	Three-phase 380 to 480 Vac (proportional to input voltage)										
	Max. output frequency	500 Hz										
Braking resistor	Recommended power [kW]	0.08	0.14	0.22	0.3	0.44	0.6	0.74	1.1	1.5	2.2	3
	Recommended resistance [Ω]	1450	800	500	380	260	190	150	100	75	50	38
Braking unit		Built-in										
Enclosure		IP 20										

Voltage class  		Three-phase 380 to 480 Vac										
Drive model: MD290TxxG/xxP-INT		18.5G/22P	22G/30P	30G/37P	37G/45P	45G/55P	55G/75P	75G/90P	90G/110P	110G/132P	132G/160P	160G/200P
Frame size		T5		T6		T7		T8		T9		
Drive input	Rated input voltage	Three-phase 380 to 480 Vac -15% to +10%										
	Rated input current [A]	49.5/59	59/65.8	57/71	69/86	89/111	106/143	139/167	164/198	196/239	240/295	287/359
	Power capacity [kVA]	54	60	65	79	102	131	153	181	219	270	328
	Rated input frequency	50/60 Hz ±5%										
Drive output	Applicable motor [kW]	18.5/22	22/30	30/37	37/45	45/55	55/75	75/90	90/110	110/132	132/160	160/200
	Output current [A] <sup>*2</sup>	37/45	45/60	60/75	75/91	91/112	112/150	150/176	176/210	210/253	253/304	304/377
	Default carrier frequency [kHz]	6	6	6	5	5	4	3	3	3	3	3
	Overload capacity	150% for G type and 110% for P type for 60 s										
	Max. output voltage	Three-phase 380 to 480 Vac (proportional to input voltage)										
	Max. output frequency	500 Hz										
Braking resistor	Recommended power [kW]	4	4.5	6	7	9	11	15	18	22	26	32
	Recommended resistance [Ω]	32	27	20	16	13	10.5	7.7	6.4	5.3	4.4	3.6
Braking unit		Built-in (for models MD290TxxG/xxPB-INT)						MDBUN-60-5T x2		MDBUN-90-5T x2		
Enclosure		IP 20										

\*1 0.75/1.5/2.2 kW are the preferred stocking ratings. To learn more, please get in touch with your local Inovance representative.

\*2 Rated output current at default carrier frequency.

Voltage class $\text{CE} \text{UL}$		Three-phase 380 to 480 Vac															
Drive model: MD290Txxxx (-L) <sup>1</sup> -INT		200G	220P	220G	250P	250G	280P	280G	315P	315G	355P	355G	400P	400G	450P	450G	500P
Frame size		T10				T11				T12							
Drive input	Rated input voltage	Three-phase 380 to 480 Vac -15% to +10%															
	Rated input current [A]	365	410	410	456	441	507	495	559	565	624	617	708	687	782	782	840
	Power capacity [kVA]	334	375	375	417	404	464	453	511	517	571	565	647	629	715	716	768
	Rated input frequency	50/60 Hz $\pm 5\%$															
Drive output	Applicable motor [kW]	200	220	220	250	250	280	280	315	315	355	355	400	400	450	450	500
	Output current [A] <sup>2</sup>	377	426	426	465	465	520	520	585	585	650	650	725	725	820	820	880
	Default carrier frequency [kHz]	3	3	3	3	3	3	3	3	3	3	3	3	3	3	3	3
	Overload capacity	150% for G type and 110% for P type for 60 s (130% for MD290T450G (-L))															
	Max. output voltage	Three-phase 380 to 480 Vac (proportional to input voltage)															
	Max. output frequency	500 Hz															
Braking resistor	Recommended power [kW]	38	38	42	42	48	48	54	54	60	60	69	69	78	78	87	87
	Recommended resistance [ $\Omega$ ]	2.9	2.9	2.7	2.7	2.3	2.3	2.1	2.1	1.9	1.9	1.7	1.7	1.5	1.5	1.3	1.3
Braking unit		MDBUN-200-5T x2							MDBUN-200-5T x3								
Enclosure		IP 00															

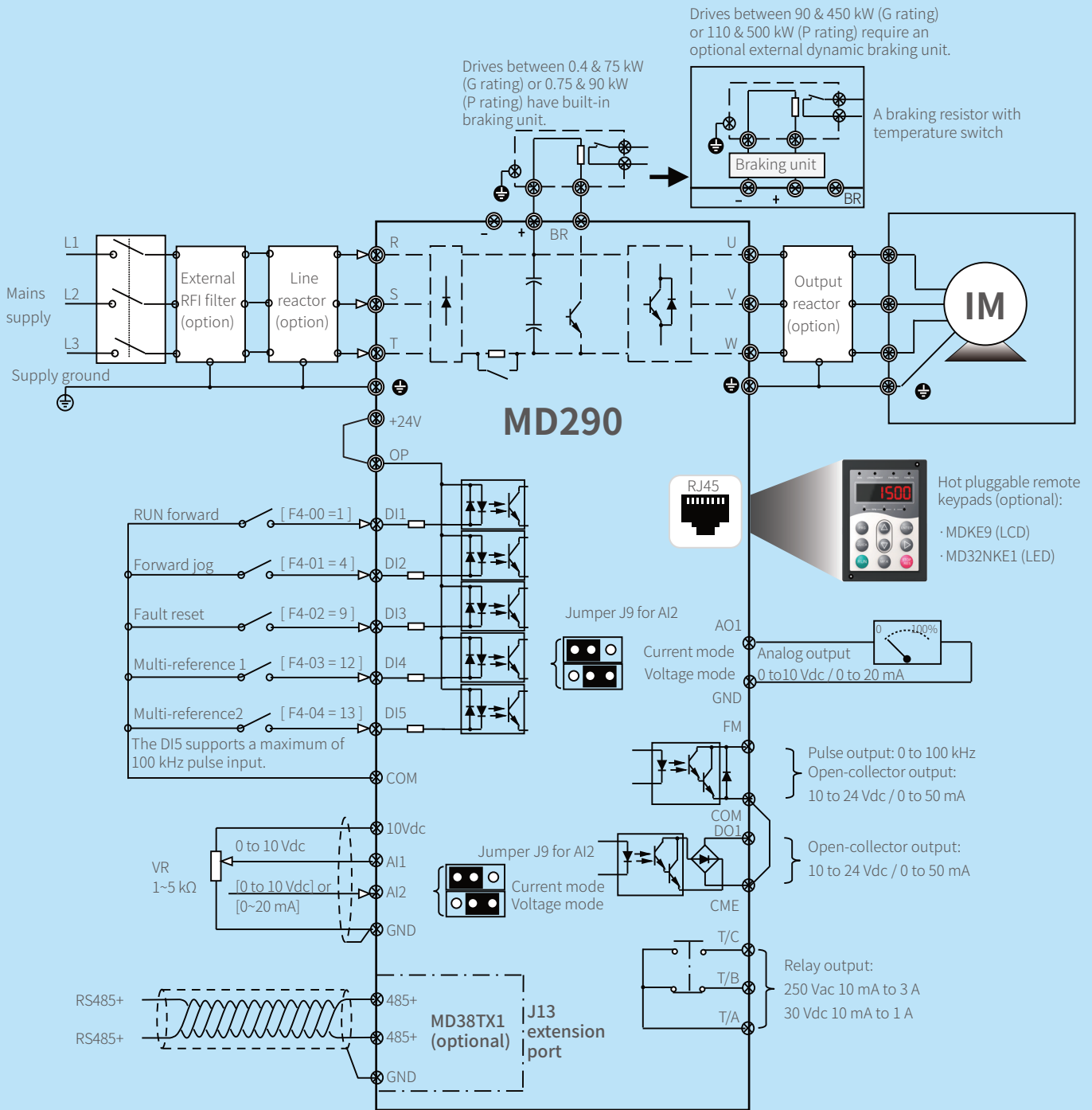
Voltage class $\text{CE}$		Three-phase 200 to 240 Vac																
Drive model: MD290-2TxxG/xxPx-INT		0.4G/ 0.7PB	0.7G/ 1.1PB	1.1G/ 1.5PB	1.5G/ 2.2PB	2.2G/ 3.7PB	3.7G/ 5.5PB	5.5G/ 7.5PB	7.5G/ 11PB	11G/ 15PB	15G/ 18.5PB	18.5G/ 22PB	22G/ 30PB	30G/ 37PB	37G/ 45PB	45G/ 55PB	55G/ 75PB	
Frame size		T1 <sup>1</sup>				T2	T3	T4	T5	T6			T7		T8			
Drive input	Rated input voltage	Three-phase 200 to 240 Vac -15% to +10%																
	Rated input current [A]	2.4/ 3.7	4.6/ 6.4	6.3/ 9.1	9/ 11.3	11.4/ 15.9	16.7/ 22.4	32.2/ 39.7	41.3/ 44	59/ 71	57/ 71	69/ 86	89/ 111	106/ 143	139/ 167	164/ 198	196/ 239	
	Rated input frequency	50/60 Hz $\pm 5\%$																
Drive output	Applicable motor [kW]	0.4/0.75	0.75/1.1	1.1/1.5	1.5/2.2	2.2/3.7	3.7/5.5	5.5/7.5	7.5/11	11/15	15/18.5	18.5/22	22/30	30/37	37/45	45/55	55/75	
	Output current [A] <sup>2</sup>	2.1/3.1	3.8/5.1	5.1/7.2	7.2/9	9/13	13/17	25/32	32/37	45/60	60/75	75/91	91/112	112/150	150/176	176/210	210/253	
	Default carrier frequency [kHz]	6	6	6	6	6	6	6	6	6	6	5	5	5	4	3	3	
	Overload capacity	150% for G type & 110% for P type for 60 s																
	Max. output voltage	Three phase 200 to 240 Vac (proportional to input voltage)																
Max. output frequency	500 Hz																	
Braking resistor	Recommended power [kW]	90	160	250	340	500	800	1300	1700	2300	3000	3900	4600	5500	6800	5000x2	6000x2	
	Minimum resistance [ $\Omega$ ]	48	48	32	32	16	16	10	10	12	9	7	6	5	4	4.9x2	4x2	
Braking unit		Built-in												MDBUN-60-2T x2				
Enclosure		IP20																

\*1 0.75/1.5/2.2 kW are the preferred stocking ratings. To learn more, please get in touch with your local Inovance representative.

\*2 Rated output current at default carrier frequency.

\*3 For the standard AC Drive, we recommend motor cable lengths to be <100 m. Where your installation exceeds 100 m, the "L" version is an option with a built-in AC output reactor (1% voltage drop) which can help to overcome the effects of long cable installations. To discuss your application, contact your local Inovance representative.

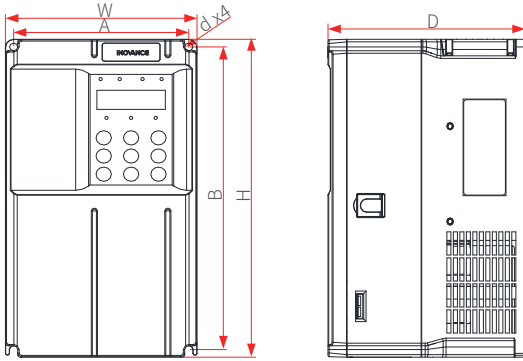
## General wiring diagram



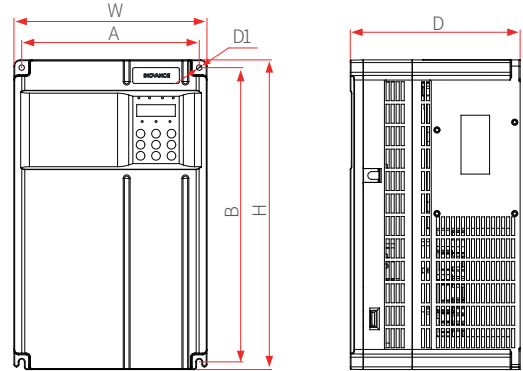
Note: This wiring diagram shows the digital inputs used in NPN (SINK) configuration. They can be used also as PNP (SOURCE) configuration.

## Dimensions

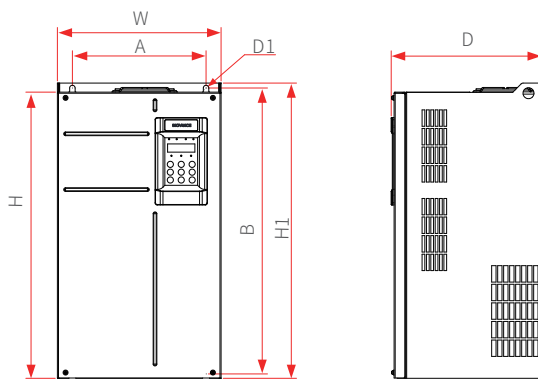
MD290T0.4G/0.7PB-INT to MD290T15G/18.5PB-INT  
MD290-2T0.4G/0.7PB-INT to MD290-2T7.5G/11PB-INT



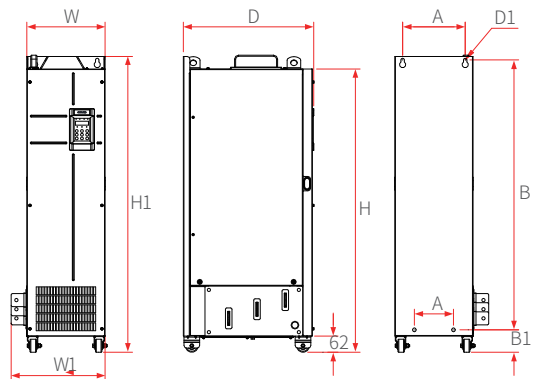
MD290T18.5G/22P(B)-INT to MD290T37G/45P(B)-INT  
MD290-2T11G/15P(B)-INT to MD290-2T18.5G/22P(B)-INT



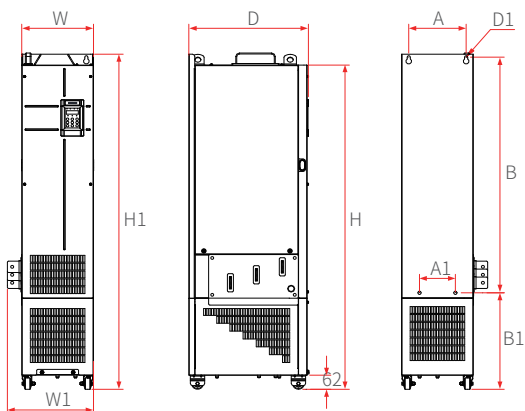
MD290T45G/55P(B)-INT to MD290T160G/200P-INT  
MD290-2T22G/30P(B)-INT to MD290-2T55G/75P-INT



MD290T200G-INT to MD290T450G-INT  
MD290T220P-INT to MD290T500P-INT

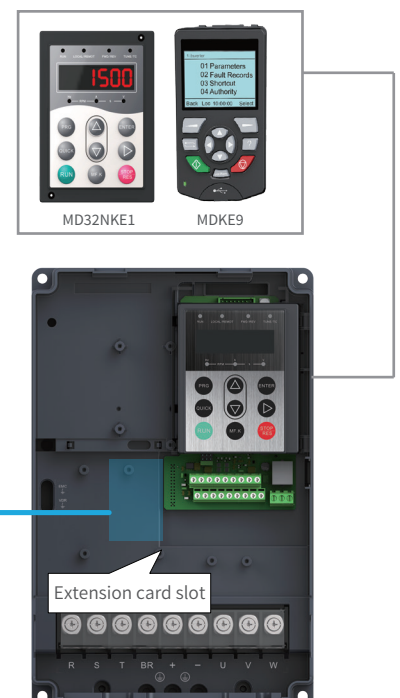
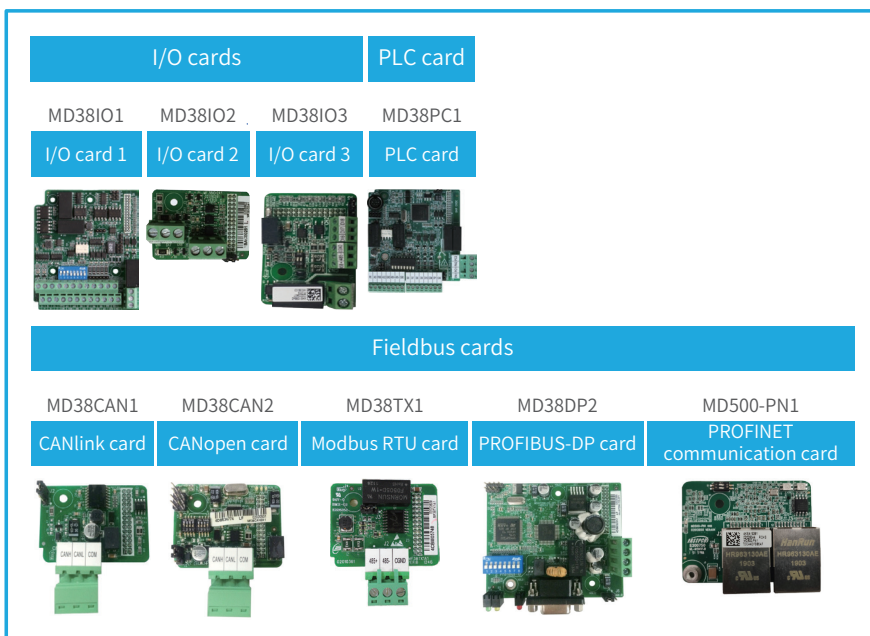


MD290T200G-L-INT to MD290T450G-L-INT  
MD290T220P-L-INT to MD290T500P-L-INT



MD290 model	Frame size	Dimensions (mm)										Mass (kg)
		A	A1	B	B1	H	H1	W	W1	D	D1	
MD290T0.4G/0.7PB-INT, MD290T0.7G/1.1PB-INT, MD290T1.1G/1.5PB-INT MD290T1.5G/2.2PB-INT, MD290T2.2G/3.0PB-INT, MD290T3.0G/3.7PB-INT MD290-2T0.4G/0.7PB-INT, MD290-2T0.7G/1.1PB-INT, MD290-2T1.1G/1.5PB-INT, MD290-2T1.5G/2.2PB-INT	T1	119	/	189	/	200	/	130	/	152	Ø5	1.6
MD290T3.7G/5.5PB-INT, MD290T5.5G/7.5PB-INT MD290-2T2.2G/3.7PB-INT, MD290-2T3.7G/5.5PB-INT	T2	119	/	189	/	200	/	130	/	162	Ø5	2.0
MD290T7.5G/11PB-INT, MD290T11G/15PB-INT, MD290-2T5.5G/7.5PB-INT	T3	128	/	238	/	250	/	140	/	170	Ø6	3.3
MD290T15G/18.5PB-INT, MD290-2T7.5G/11PB-INT	T4	166	/	266	/	280	/	180	/	170	Ø6	4.3
MD290T18.5G/22P(B)-INT, MD290T22G/30P(B)-INT, MD290-2T11G/15P(B)-INT	T5	195	/	335	/	350	/	210	/	192	Ø6	10
MD290T30G/37P(B)-INT, MD290T37G/45P(B)-INT MD290-2T15G/18.5P(B)-INT, MD290-2T18.5G/22P(B)-INT	T6	230	/	380	/	400	/	250	/	220	Ø7	17.5
MD290T45G/55P(B)-INT, MD290T55G/75P(B)-INT MD290-2T22G/30P(B)-INT, MD290-2T30G/37P(B)-INT	T7	245	/	523	/	525	542	300	/	275	Ø10	35
MD290T75G/90P(B)-INT, MD290T90G/110P-INT, MD290T110G/132P-INT MD290-2T37G/45P(B)-INT, MD290-2T45G/55P-INT, MD290-2T55G/75P-INT	T8	270	/	560	/	554	580	338	/	315	Ø10	51.5
MD290T132G/160P-INT, MD290T160G/200P-INT	T9	320	/	890	/	874	915	400	/	320	Ø10	85
MD290T200G-INT, MD290T220P-INT, MD290T220G-INT, MD290T250P-INT MD290T280P-INT	T10	240	150	1,035	86	1,086	1,134	300	360	500	Ø13	110
MD290T200G-L-INT, MD290T220P-L-INT, MD290T220G-L-INT, MD290T250P-L-INT, MD290T280P-L-INT		240	150	1,035	424	1,424	1,472	300	360	500	Ø13	160
MD290T250G-INT, MD290T280G-INT, MD290T315P-INT, MD290T355P-INT MD290T250G-L-INT, MD290T280G-L-INT, MD290T315P-L-INT, MD290T355P-L-INT	T11	225	185	1,175	97	1,248	1,284	330	390	545	Ø13	155
MD290T250G-L-INT, MD290T280G-L-INT, MD290T315P-L-INT, MD290T355P-L-INT		225	185	1,175	435	1,586	1,622	330	390	545	Ø13	215
MD290T315G-INT, MD290T355G-INT, MD290T400P-INT, MD290T400G-INT, MD290T450P-INT, MD290T450G-INT, MD290T500P-INT MD290T315G-L-INT, MD290T355G-L-INT, MD290T400P-L-INT, MD290T400G-L-INT, MD290T450P-L-INT, MD290T450G-L-INT, MD290T500P-L-INT	T12	240	200	1,280	101	1,355	1,405	340	400	545	Ø16	185
MD290T315G-L-INT, MD290T355G-L-INT, MD290T400P-L-INT, MD290T400G-L-INT, MD290T450P-L-INT, MD290T450G-L-INT, MD290T500P-L-INT		240	200	1,280	432	1,683	1,733	340	400	545	Ø16	245

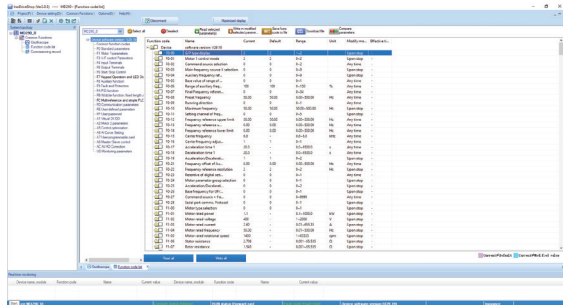
## Extension cards and mounting position



## PC software tools

### InoDriveShop

InoDriveShop은 Inovance의 PC 기반 소프트웨어 제품이며, Windows 인터페이스를 기반으로 합니다. InoDriveShop은 드라이브 매개변수를 업로드 및 다운로드할 수 있으며 실시간 oscilloscope와 같은 다양한 기타 기능을 제공합니다.



Parameter uploading/downloading



Multi-drive, multi-channel oscilloscope

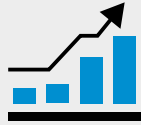
## Accessories list

Category	Model	Function description	Suitable for
External braking units	MDBUN-60-2T	External braking unit, rated current 60 A, for supply input voltage 200 to 240 Vac AC drives.	2T models: 45G - 55G
	MDBUN-200-5T	External braking unit, rated current 200 A, for supply input voltage 380 to 480 Vac AC drives.	T models: 200G - 450G
	MDBUN-60-5T	External braking unit, rated current 60 A, for supply input voltage 380 to 480 Vac AC drives.	T models: 90G - 110G
	MDBUN-90-5T	External braking unit, rated current 90 A, for supply input voltage 380 to 480 Vac AC drives.	T models: 132G - 160G
Keypads	MD32NKE1	Remote LED keypad. Includes MDCAB cable.	All
	MDKE9	Remote LCD keypad. For parameter programming and monitoring, data copy (for various MD series). Includes MDCAB cable.	All
	MDCAB	3 meter connection cable for remote keypad.	All
I/O cards	MD38IO1	I/O extension card 1, provides: 5x DI, 1x AI, 1x relay output, 1x DO, 1x AO, Modbus-RTU and CANlink.	Frame sizes T4-T12
	MD38IO2	I/O extension card 2, provides 3x extra DI terminals.	All
PLC card	MD38IO3	I/O extension card 3, provides 3x DI, 1x relay output, Modbus-RTU interface.	All
	MD38PC1	PLC card, compatible with Inovance PLC.	Frame sizes T4-T12
Fieldbus cards	MD38CAN1	CANlink bus card, supports only CANlink.	All
	MD38CAN2	CANopen bus card, supports only CANopen.	All
	MD38TX1	Modbus-RTU communication card.	All
	MD38DP2	PROFIBUS-DP communication card.	Frame sizes T4-T12
PC comms kit	MD500-PN1	PROFINET communication card.	All
	MDPCKIT02	Kit for connection with a personal computer, to be used with PC software tools.	All
Mounting brackets	MD500-AZJ-A1T1	Through hole mounting bracket - MD290/MD500 for frame T1.	Frame size T1
	MD500-AZJ-A1T2	Through hole mounting bracket - MD290/MD500 for frame T2.	Frame size T2
	MD500-AZJ-A1T3	Through hole mounting bracket - MD290/MD500 for frame T3.	Frame size T3
	MD500-AZJ-A1T4	Through hole mounting bracket - MD290/MD500 for frame T4.	Frame size T4
	MD500-AZJ-A1T5	Through hole mounting bracket - MD290/MD500 for frame T5.	Frame size T5
	MD500-AZJ-A1T6	Through hole mounting bracket - MD290/MD500 for frame T6.	Frame size T6
	MD500-AZJ-A1T7	Through hole mounting bracket - MD290/MD500 for frame T7.	Frame size T7
	MD500-AZJ-A1T8	Through hole mounting bracket - MD290/MD500 for frame T8.	Frame size T8
	MD500-AZJ-A1T9	Through hole mounting bracket - MD290/MD500 for frame T9.	Frame size T9
	Guide Rails	MD500-AZJ-A3T10	Guide rails for inserting in/ extracting from the cabinet - frame sizes T10 to T12.

# INOVANCE



**2003**  
founded



**IPO:2010**  
Shenzhen, China



**20,256**  
employees



**\$3,405 million**  
revenues in 2022



**No.5**  
for servo drives  
globally in 2022\*



**No.8**  
for LV AC drives  
globally in 2022\*



**3.36 million**  
servo drives and  
motors shipped in 2022



**2,248,000**  
EV powertrains  
shipped in 2022



**17,000+**  
industrial robots  
delivered by end of 2022



**13,598**  
MV drives delivered  
by end of 2022



**4.3 million**  
AC drives  
shipped in 2022



**100+**  
Inovance's products are in  
use in 100+ countries

\*According to leading market research company Interact Analysis

For more information, please contact our local offices.

이노밴스 테크놀로지 코리아 주식회사  
**Inovance Technology Korea Co.,Ltd.**

[www.inovance.co.kr](http://www.inovance.co.kr)

서울특별시 영등포구 선유로130 에이스하이테크 3차 1003호

고객 센터 : 02-3489-8850

이메일 : [INOVANCEKR@inovance.eu](mailto:INOVANCEKR@inovance.eu)



Kakao Channel



Linked page



Website